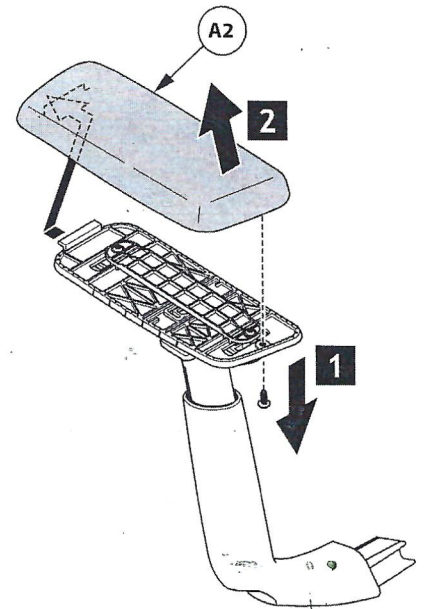
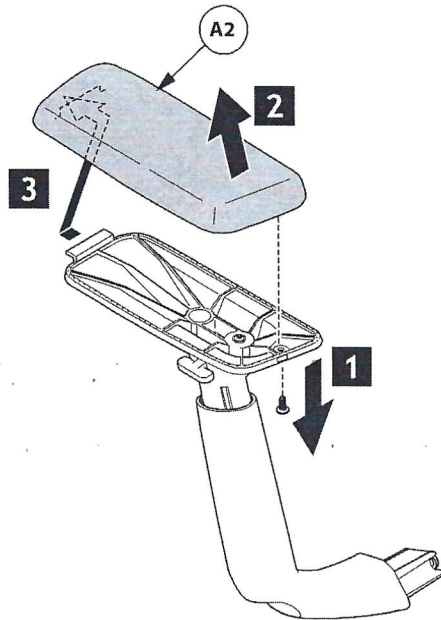
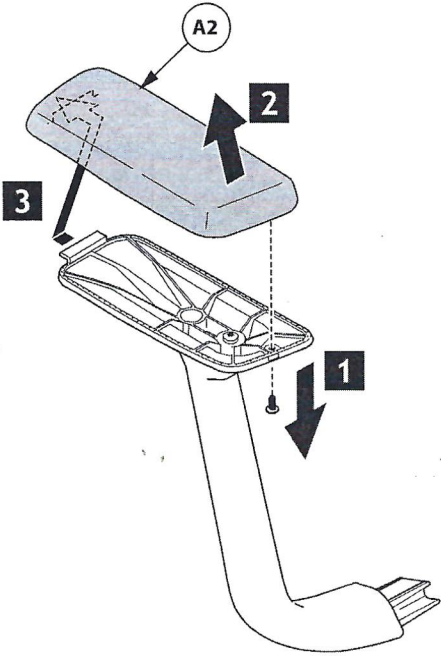


1 Remove old arm cap (A2)

Fixed Arm

Height Adjustable Arm

4D Arm



2 Install new arm cap (A)

Fixed Arm

Height Adjustable Arm

4D Arm

